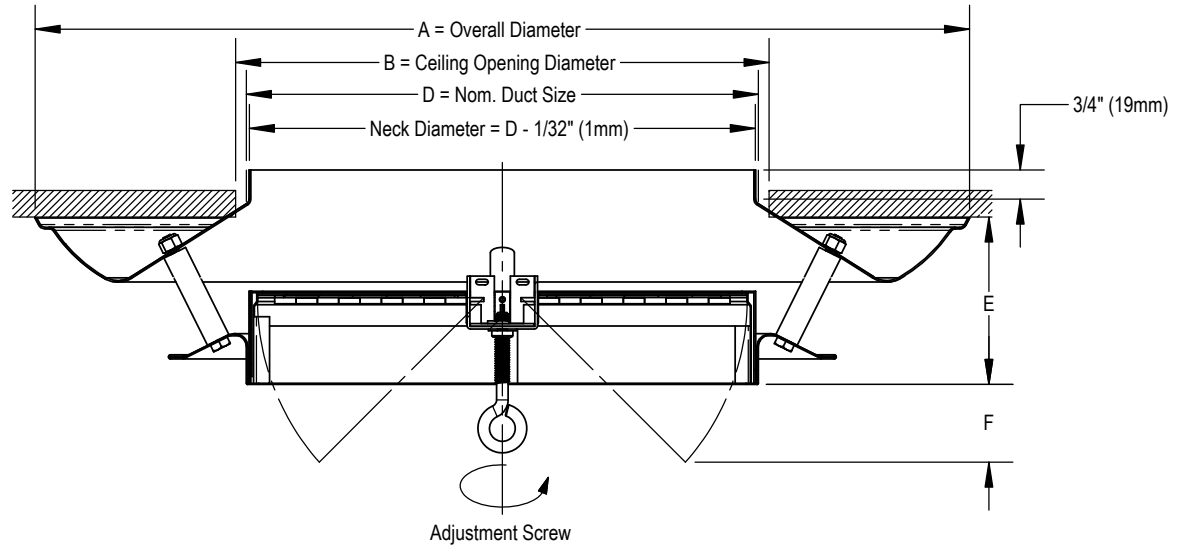
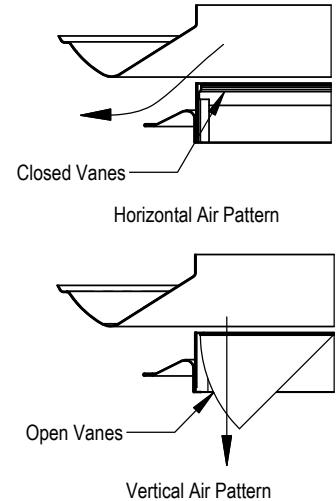


**RID Round Industrial Diffuser**



Nom. Size	A	B	D	E	F
10	18 1/4" (464mm)	10 1/2" (267mm)	10" (254mm)	4" (102mm)	1 3/4" (44mm)
12	22" (559mm)	12 1/2" (318mm)	12" (305mm)	4" (102mm)	2 1/2" (64mm)
14	26" (660mm)	14 1/2" (368mm)	14" (356mm)	4 1/2" (114mm)	2 3/4" (70mm)
16	29" (737mm)	16 1/2" (419mm)	16" (406mm)	5 1/4" (133mm)	3 1/2" (89mm)
18	32 1/2" (826mm)	18 1/2" (470mm)	18" (457mm)	5 1/2" (140mm)	4 1/4" (108mm)
20	36" (914mm)	20 1/2" (521mm)	20" (508mm)	5 5/8" (143mm)	4 3/4" (121mm)
24	43 1/4" (1099mm)	24 1/2" (622mm)	24" (610mm)	6 5/8" (168mm)	4 1/2" (114mm)
30	53 7/8" (1368mm)	30 1/2" (775mm)	30" (762mm)	8 1/4" (210mm)	5 1/2" (140mm)
36	65 1/2" (1664mm)	36 1/2" (927mm)	36" (914mm)	8 7/8" (225mm)	7" (178mm)



**MATERIAL:**

- Heavy gauge steel

**NOTE:**

- Radial vanes adjust air discharge pattern from horizontal to vertical
- Factory tolerance ±1/32" (1mm)

**OPTIONS:**

Dampers (shipped loose)

- VCR7 - Steel radial opposed blade damper (sizes 10" to 36")

**FINISH:**

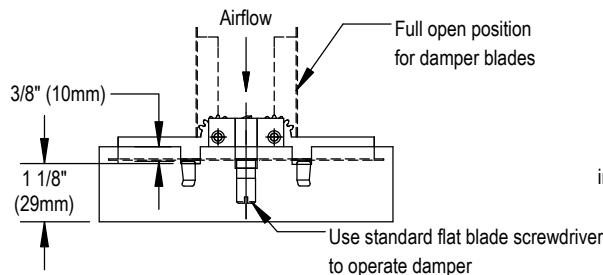
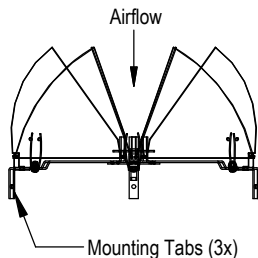
Standard Finish:

- B12 - Standard White

Optional finishes available:

- Optional colors
- Custom colors
- See finishes brochure for additional information. Contact your PRICE representative for leadtimes and pricing.

- VCR8 - Steel full flow damper, duct mounted (sizes 10" to 14")



Scan for link to additional product information and installation instructions

ALL METRIC DIMENSIONS ( ) ARE SOFT CONVERTED. IMPERIAL DIMENSIONS ARE CONVERTED TO METRIC AND ROUNDED TO THE NEAREST MILLIMETER

<b>PROJECT:</b>		<b>PRICE</b> <sup>®</sup>	
<b>ENGINEER:</b>		<i>MJ</i>	<b>RID</b> Round Industrial Diffuser
<b>CUSTOMER:</b>		<b>210475</b>	
<b>SUBMITTAL DATE:</b>	<b>SPEC. SYMBOL:</b>	2023-02-08	